

VMR Giant Bosch Extruder Gun - 750W

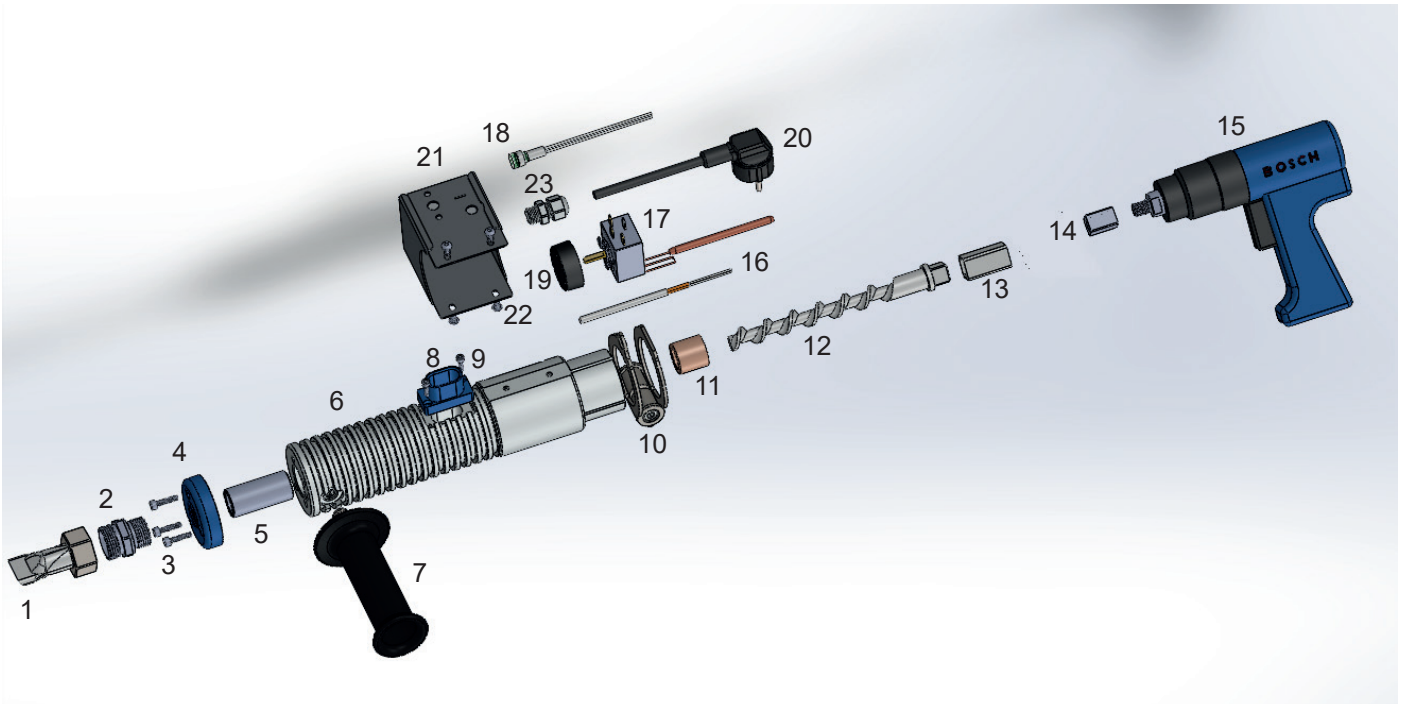


11922 - 230V
11960 - 110V

Potenza Trapano / Drill Power	750 W
Potenza Elettrica / Electric Power	800W - 230/110V
Temperatura max / Max temperature	120°
Peso / Weight	6 kg
Produzione gomma / Rubber production	28 kg/h

- The new barrel / frontal part is designed to help scatter the heat without the risk of burning, and there's no need for a cooling sleeve
- Spare parts are interchangeable with the other models, such as the thermostats, screw, heat element and knob
- This model matches the Bosch Normal 260-687

PARTE FRONTALE / BARREL



N°	Item #	Descrizione	Description
1	11835	Ugello "G"	Nozzle "G"
2	11836	Raccordo	Nozzle adapter
3	11795	Viti flangia (3 pz)	Screw for head cap (3 pcs)
4	11867	Flangia	Head
5	11841	Boccola	Front bushing
6	11866-1	Corpo	Central body
7	11798	Maniglia	Handle
8	11862	Tramoggia	Inlet
9	11862-1	Viti tramoggia (2 pz)	Inlet screw (2 pcs)
10	11883	Collare	Clamp
11	11842	Bronzina	Back bushing
12	11840	Vite estrusore "G"	Extruder screw "G"
13	11805	Giunto	Square Joint
14	11807	Codolo	Tang
15	11847	Pistola Bosch 750W	750W Bosch Drill
16	11813	Resistenza 230V ("N") - (110V cod.11814)	Heat Element 230V ("N") - (110V item #11814)
17	11816	Termostato 0-120° C	Thermostat 0-120° C
18	11822	Lampada verde 230V (110V cod. 11821)	Green Pilot light 230V (110V item #11821)
19	11819-1	Manopola termostato 0-120° C	Thermostat Knob 0-120° C
20	11825	Cavo (presa USA cod. 11826)	Plug (American plug item #11826)
21	11871	Scatola impianto elettrico	Control box
22	11871-1	Viti scatola (4 pz)	Control box screw (4 pcs)
23	11827	Pressacavo	Strain relief